



OurAir TK 850
Mobile Air
Purification System
for Virus-Free Air
Indoors

MANN +
HUMMEL
OurAir

Leadership in Filtration

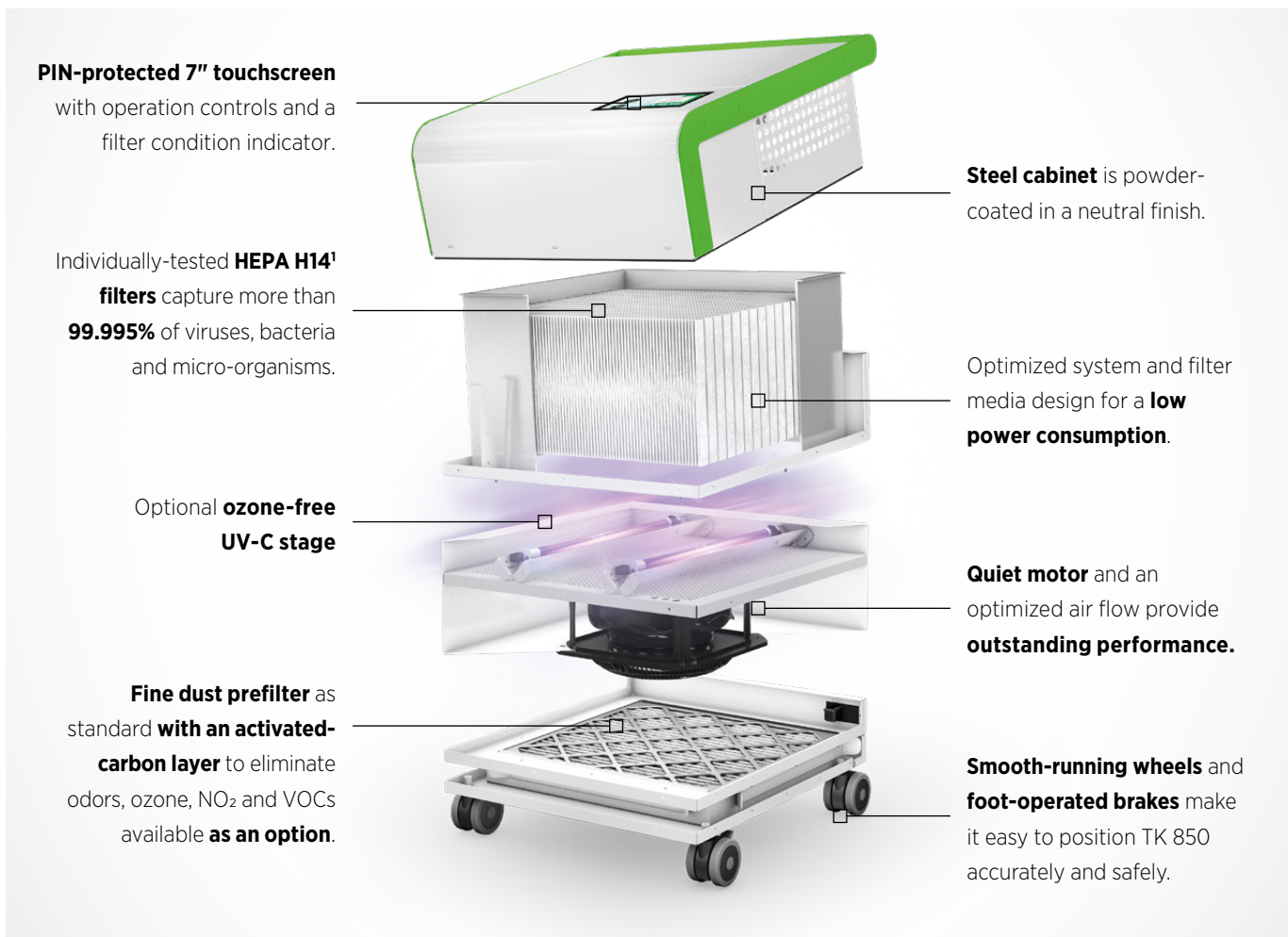
DØVIGEN AS | Telefon 23 05 10 50 | www.dovigen.no | kundeservice@dovigen.no

MANN +
HUMMEL

OurAir TK 850

Features & Functions

MOBILE AIR PURIFICATION SYSTEM



OVERVIEW

OurAir TK 850 is a portable air purification system that delivers virus-free, safe air in practically any indoor environment. Its individually-tested H14 HEPA filters¹ capture more than 99.995% of viruses, bacteria and other micro-organisms to offer the same supply air purity as many cleanrooms. Optionally, the prefilter can be equipped with an activated carbon layer to adsorb unpleasant odors and an ozone-free UV-C stage can also be selected.

APPLICATIONS & USE

OurAir TK 850 has been designed to provide virus-free air to building occupants wherever they gather - from offices and retail stores to restaurants, gyms and medical practices.

One OurAir TK 850 device efficiently cleans the air in a room up to 70 m² in size. Multiple units can be used in conjunction for larger rooms, or the OurAir SQ 2500 is an alternative solution for rooms up to 200 m².

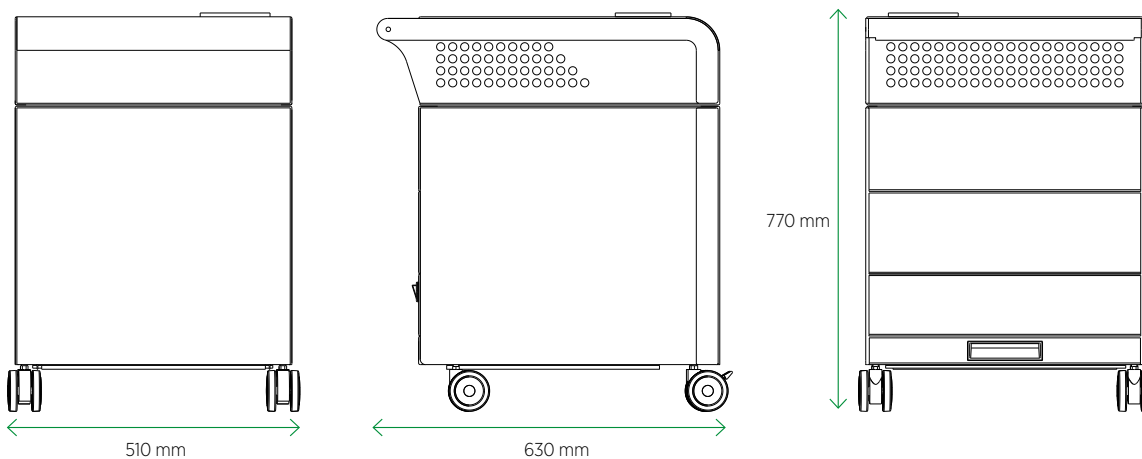
OPTIONAL UV-C STAGE

Viruses separated by the HEPA filter die off and remain inactive. If requested, an additional ozone-free UV-C stage can be activated. Wavelengths below 240 nm are retained by specially coated glass. The lamps are deactivated when the device is opened. When using HEPA filters, UV-C lamps do not contribute to a further improvement in air quality and only sterilize the directly irradiated filter surface.

OurAir TK 850

Technical Information

DIMENSIONS & LAYOUT



PERFORMANCE DATA

| TECHNICAL DATA | OURAIR TK 850 |
|---|---|
| Dimensions (L x W x H) | 0.51 x 0.63 x 0.77 m |
| Recommended Room Size (per unit) | Approx. 70 m ² |
| Net Weight (with filter) | 60 kg |
| Cabinet Material | Powder-coated steel – 1.5 mm thick |
| Power Supply | 230 V, IEC power connector |
| Power Consumption | 91 W @ average operation speed (400 m ³ /h) 220 W @ maximum (950 m ³ /h) |
| Circuit Breaker | Integrated – 3 amp |
| Air Flow Rate | 100 – 950 m ³ /h |
| Air Exchange Rate | - 5 times/hour (70 m ² room); - 6 times/hour (60 m ² room) |
| Filtration Efficiency | H14 ¹ (captures > 99.995% of viruses, bacteria and micro-organisms) |
| Pre-Filtration | ePM10 80% |
| Screen | PIN-protected 7" LCD touch screen |
| Options | Ozone-free UV-C stage, activated carbon prefilter (from Q2/21), Wi-Fi connectivity (from Q3/21) |

SOUND PRESSURE

| Air Flow | 950 m ³ /h | 850 m ³ /h | 600 m ³ /h | 400 m ³ /h | 200 m ³ /h |
|---------------------|-----------------------|-----------------------|-----------------------|-----------------------|-----------------------|
| Sound Output | - 57 dB(A) | - 55 dB(A) | - 47 dB(A) | - 40 dB(A) | - 30 dB(A) |

Subject to change without notice. ¹According to ISO 29463 & EN 1822.



v10-1220 © MANN+HUMMEL GmbH



Døvigen AS
Postboks 6034 Etterstad
0601 OSLO
Telefon 23 05 10 50
ordrekontor@dovigen.no
www.dovigen.no

